

SPECIFICATION FOR APPROVAL

(产品承认书)

CUSTOMER: _____
ITEM: YD102-1 LOUD SPEAKER
PART NO: _____
CUSTOMER'S NO: _____
RESULT(判定结果) PASS (合格) NG (不合格)

SIGNATURE OF APPROVAL

(承认签章)

| DUTY (责任) | CHECK (审核) | APPV (核准) |
|--------------|---------------|--------------|
| | | |

确认后请将整份承认书签回 CONDITION(备注) _____

| DUTY (责任) | CHECK (审核) | APPV (核准) |
|--------------|---------------|--------------|
| | | |

YD102-1

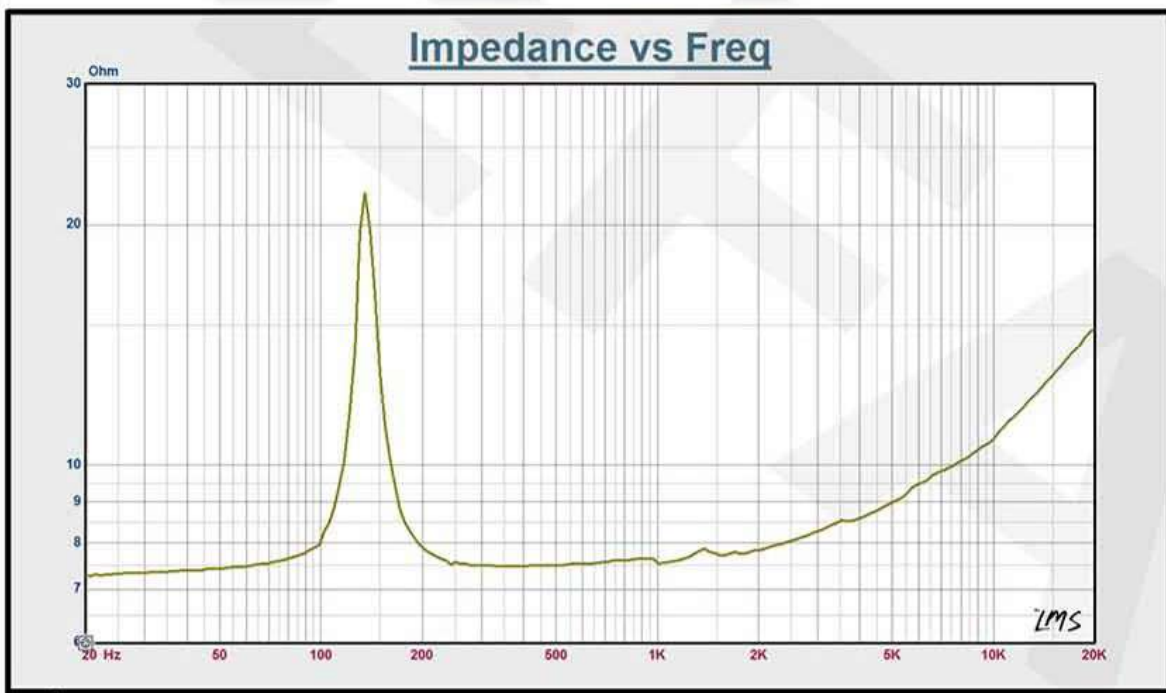
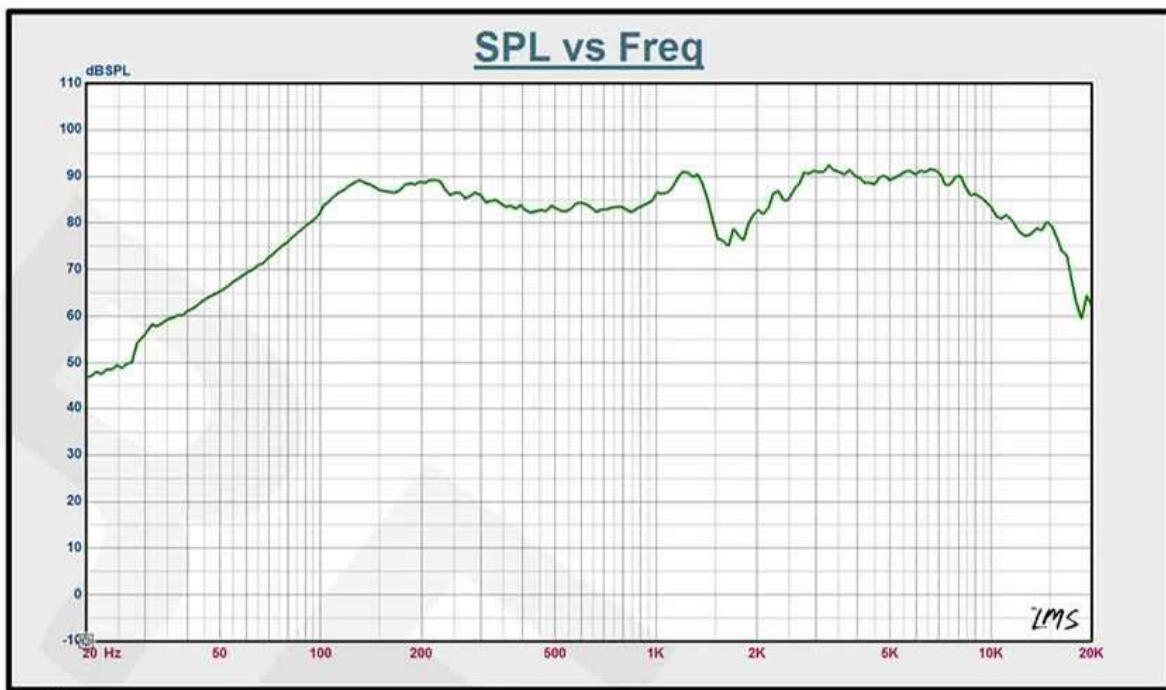
www.refaelectronics.com

| 制 品 规 格 书 SPEAKER SPECIFICATION | | | 出图承认 | | |
|------------------------------------|-------------------------------|--|--|---------------|--------------|
| 客 户 CUSTOMER | | | DUTY (责任) | CHECK (审核) | APPV (核准) |
| 型 号 PARTNO. | 客 户 型 名 CUSTOMER' S NO. | YD102-1 | | | |
| | 本 厂 型 名 OUR PART NO. | | | | |
| 口 径 SIZE | 102*102 | | 全 高 TOTALHEIGHT | 33MM | |
| 编号 | 项 目 | 规 格 | 测 定 条 件 | | |
| 1 | 额定阻抗 VOICE COIL IMP | 8 ohm±15% | AT 400 Hz 1.0V | | |
| 3 | 异常音 Sweep test | Must be normal | Sine Wave 4.8V, At 100-10K Hz 3.0seconds | | |
| 4 | 最低共振频率 resonance freq. | F0:135Hz±(27Hz) 20% | At 1 V Without Baffle | | |
| 5 | 灵敏度 SPL Sensitivity | LMS: 83±3dB At. 200, 300, 500, 1KHz | At 1W LMS From 1m | | |
| 6 | 频率范围 Frequency Range | F0 ~ 12 KHz | Sensitivity -10dB | | |
| 7 | 输入功率 Input Power | Rated : 3 W | Max Input : 6W | | |
| 8 | 失真率 Distortion | 5% MAX @1W 1000Hz | Rated Input at 1m/ 1W | | |
| 9 | 连续负荷 Load Test | WHITE NOISE 8Ω 3W (4.8V) | 135-5KHZ 24Hrs | | |
| 10 | 耐热试验 Heat Test | 60±2°C 20~25% R.H. 24 Hrs | After test, meet items 2, 3, 5 | | |
| 11 | 耐寒试验 Cool Test | -20±2°C 24 Hrs | After test, meet items 2, 3, 5 | | |
| 12 | 耐湿试验 Humidity Test | 40 ±2°C 90-95% R.H. 24Hrs | After test, meet items 2, 3, 5 | | |
| 9 | 绝缘电阻 Insulation Resistance | Frame and Terminal insulation resistance>1MΩ | | | |
| 17 | 极性测试 Polarity | When a positive DC current applied to the voice coil terminal marked th [⊕] diaphragm shall move forward. (当直流电源正极加载在音圈端正极 [⊕] 标示处振动板向前运动为正极性; 极性测试仪器正极性时亮绿灯。) | | | |
| 18 | 接线极性 Connect Polarity | Crossover Network: Input [⊕] <input type="checkbox"/> 正接 WF+ / TW+ <input type="checkbox"/> 反接 WF+ / TW - NA <input checked="" type="checkbox"/> | | | |
| 21 | 落下试验 DROPPING TEST | 距离地面 1M75° ±2° 落下 6 次 AFTER TEST MEET ITEM 7 | THE SPEAKER SHALL BE DROPPED(A) TIMES AS SHOWN IN FIGUREA:6  | | |
| 13 | 磁铁 MAGNET | 主磁: Φ40*Φ19*8H Y25 | | | |

日期

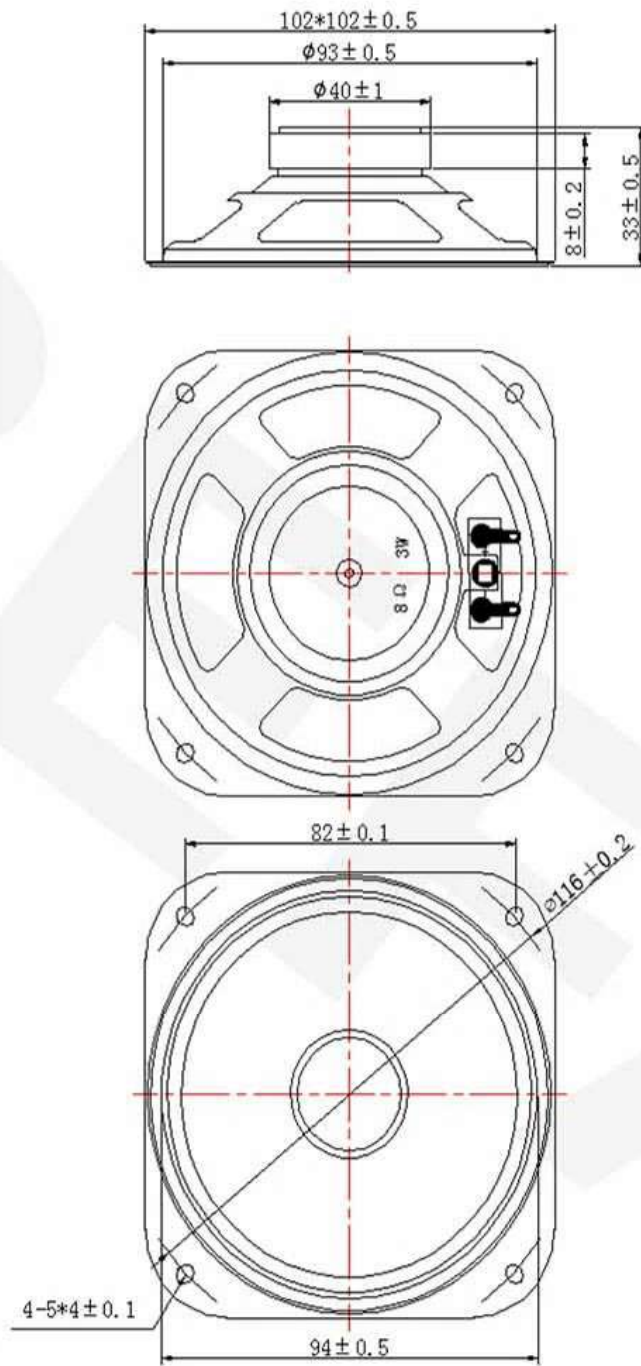
2020 年 10 月 15 日

SPEAKER 特性曲线



| | | | | | | | |
|--|----------|-------|---------|----------|--------------|-------|--------|
| IEC 318 人工耳口 | | | | MATERIAL | | | 版本 A0 |
| 0.1M <input type="checkbox"/> 0.1W <input type="checkbox"/> 0.25M <input type="checkbox"/> 0.25W <input type="checkbox"/> 0.5M <input type="checkbox"/> 0.5W <input type="checkbox"/> 1.0M <input checked="" type="checkbox"/> 1.0W <input checked="" type="checkbox"/> | | | | FINISH | | | |
| SYN | REVISION | DATE | NAME | MODELNO | | TOL ± | 单位: MM |
| DATE | | | | TITLE | OUTSIDE VIEW | | |
| NAME | | | | | | | |
| | DRAW | CHECK | APPROVE | | | | |

SPEAKER 外观图



| | | | | | | | |
|------|----------|-------|---------|-----------|--------------|-------------|--------|
| | | | | MATERIAL | | SCALE 1.5:1 | 版本 A0 |
| | | | | FINISH | | 三角法 | |
| SYN | REVISION | DATE | NAME | MODEL NO. | | TOL ± | 单位: MM |
| DATE | | | | TITLE | OUTSIDE VIEW | | |
| NAME | | | | | | | |
| | DRAW | CHECK | APPROVE | | | | |