

# DATASHEET

客戶 (Customer): \_\_\_\_\_  
客戶型號 (Customer P/N): \_\_\_\_\_  
科达型號 (Supplier P/N): **N32R8**  
產品名稱 (Description): **喇叭 (Speaker)**  
產品規格 (Specification): **8Ω , 0.5W**

客戶承認欄 (Customer Authorization Signature)	承認欄 (Supplier Audit)		
	審核	檢查	制作
	日期: 2020 年 9 月 19 日 版次: A		

<b>Model No.</b>	<b>N32R8</b>	<b>Date</b>	2020-9-19	<b>Page No.</b>	1 / 6
------------------	--------------	-------------	-----------	-----------------	-------

## 產品規格內容 (SPECIFICATION)

### 1. 使用範圍 (Scope)

此份規格書是針對多媒體產品內，所使用的微型揚聲器單體所提出的報告。

This specification covers our product of miniature speaker unit for multimedia product.

### 2. 标准测试条件 (Test condition)

一般规格试验状态（特殊要求除外）：常温 5~35℃，常湿 45%~85%，气压 860~1060hPa.

判定上有疑问时，试验状态为：温度 20±2℃，相对湿度 60%~70%，气压 860~1060 hPa.

The test conditions unless otherwise specified should be normal temperature 5 to 35 °C, Normal humidity 45 to 85% and normal atmospheric pressure 860 to 1060 hPa, However, if there arises a doubt in judgment, the test conditions shall be as follows:

Temperature 20±2℃

Humidity 60%~70%

Atmosphere 860~1060 hPa

### 3. 電聲特性 (ELECTRO-ACOUSTIC CHARACTERISTICS)

#### 3.1 額定阻抗 (Rated Impedance):

8Ω ± 15% (AT 1.6K Hz , 1.0 Vrms)

#### 3.2 額定輸入功率 (Rated Input Power)

0.5Watt (At 2.0 Vrms white noise 96 Hours)

#### 3.3 最大輸入功率 (Max. Input Power)

0.8 Watt

#### 3.4 最低共振頻率 (Resonant Frequency)

1850 Hz ± 20%

#### 3.5 輸出音壓 (Output S.P.L)

90 ± 3dB (1.0 Watt , 0.1 Meter. Average at 1.5K, 2.0K, 2.5K, 3.0K Hz)

#### 3.6 實效頻率範圍 (Frequency Range)

Fo ~ 20KHz (By Output S.P.L. -10dB)

#### 3.7 失真率 (Distortion)

Less than 5% (At 1.6KHz , 2.0 Vrms)

#### 3.8 工作溫度 (Operating Temperature)

-25℃ ~ +50℃

#### 3.9 儲存溫度 (Storage temperature)

-25℃ ~ +55℃

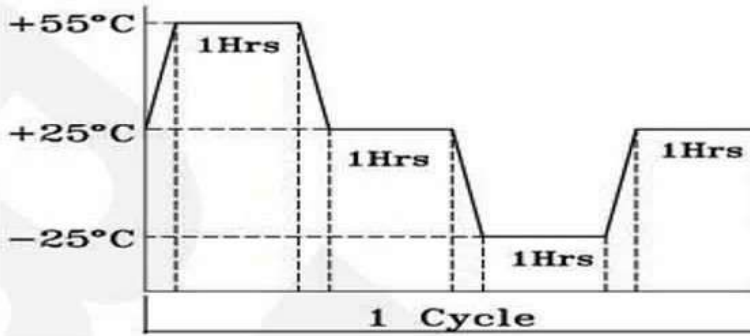
制 定	审 核	核 准	文 件 编 号

產品規格內容 (SPECIFICATION)

Model No.	N32R8	Date	2020-9-19	Page No.	2 / 6
-----------	-------	------	-----------	----------	-------

4. 可靠性測試 (Reliability Test)

4.1 高低溫差循環測試(Temperature Cycling Test)



A	Low Temperature (-25°C±3°C)
B	High Temperature (+55°C±3°C)
C	Number of Cycle (3 Cycles)
D	Duration of Exposure 1 Hours, at Each Temperature Extremes
E	Duration of Recovery 1 Hours

4.2 抗濕度試驗(Humidity Test)

A	相對濕度(Relative Humidity)	90-95% at + 40°C ± 3°C
B	測試時間(Durations)	96 Hours
C	恢覆時間(Durations of recovery)	6 Hours

4.3 連續負載測試(Load Test)

White Noise Without Weighted Filter 2.0 Volts.(RMS) 96 Hrs.

4.4 跌落試驗(Drop Test)

75 cm Free Falling On Concrete Floor, 10 Times.

4.5 異常音測試(Buzzes & Rattles)

Sine wave between at 2.0Vrms / 50~5000Hz

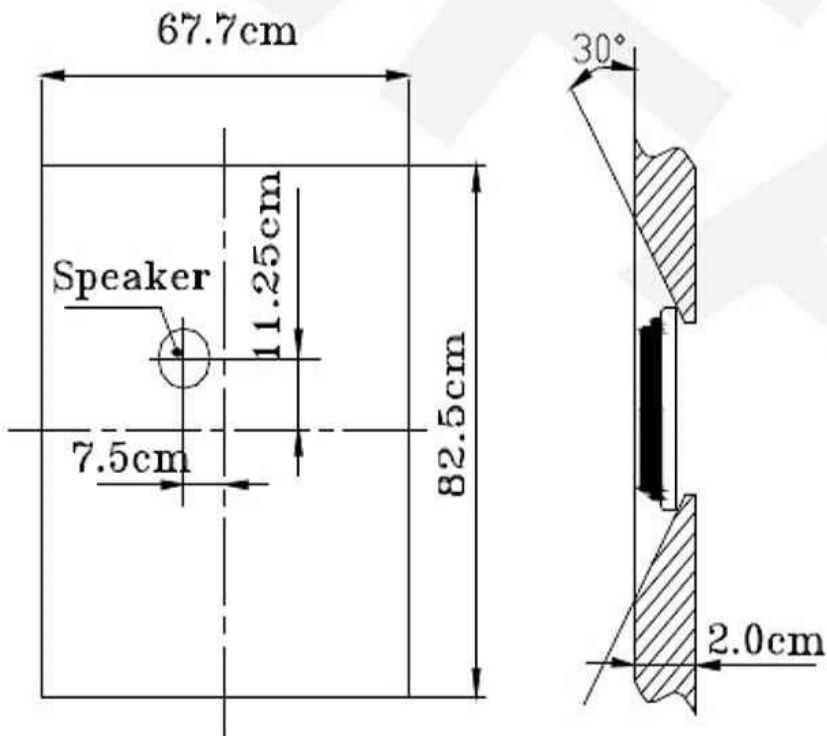
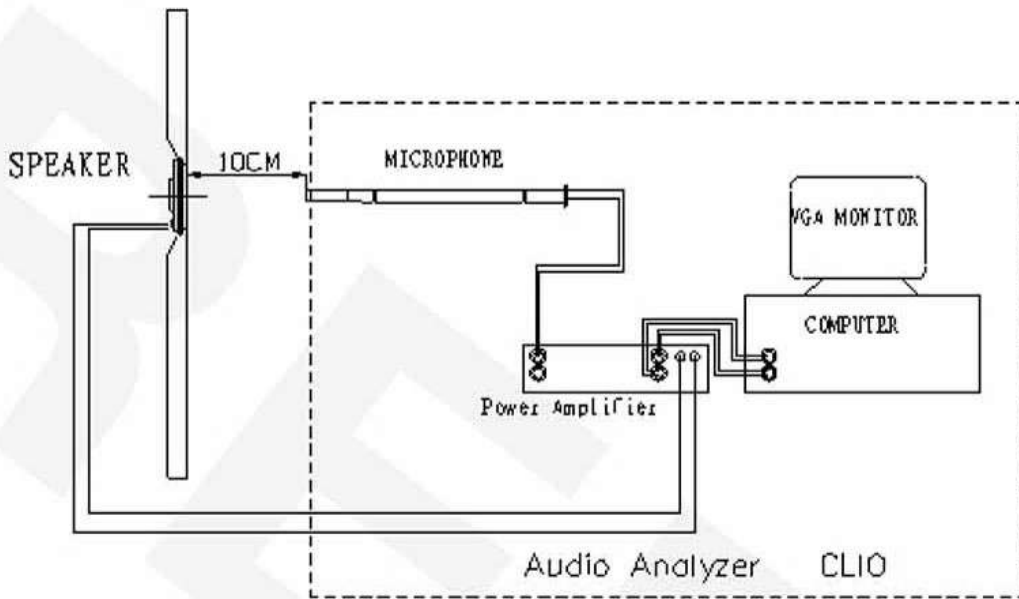
4.6 極性測試(Polarity test)

Diaphragm Shall Move Forward When Apply a Positive DC. Current to the “+”or “Marked” Terminal.

產品規格內容 (SPECIFICATION)

Model No.	N32R8	Date	2020-9-19	Page No.	3 / 6
-----------	-------	------	-----------	----------	-------

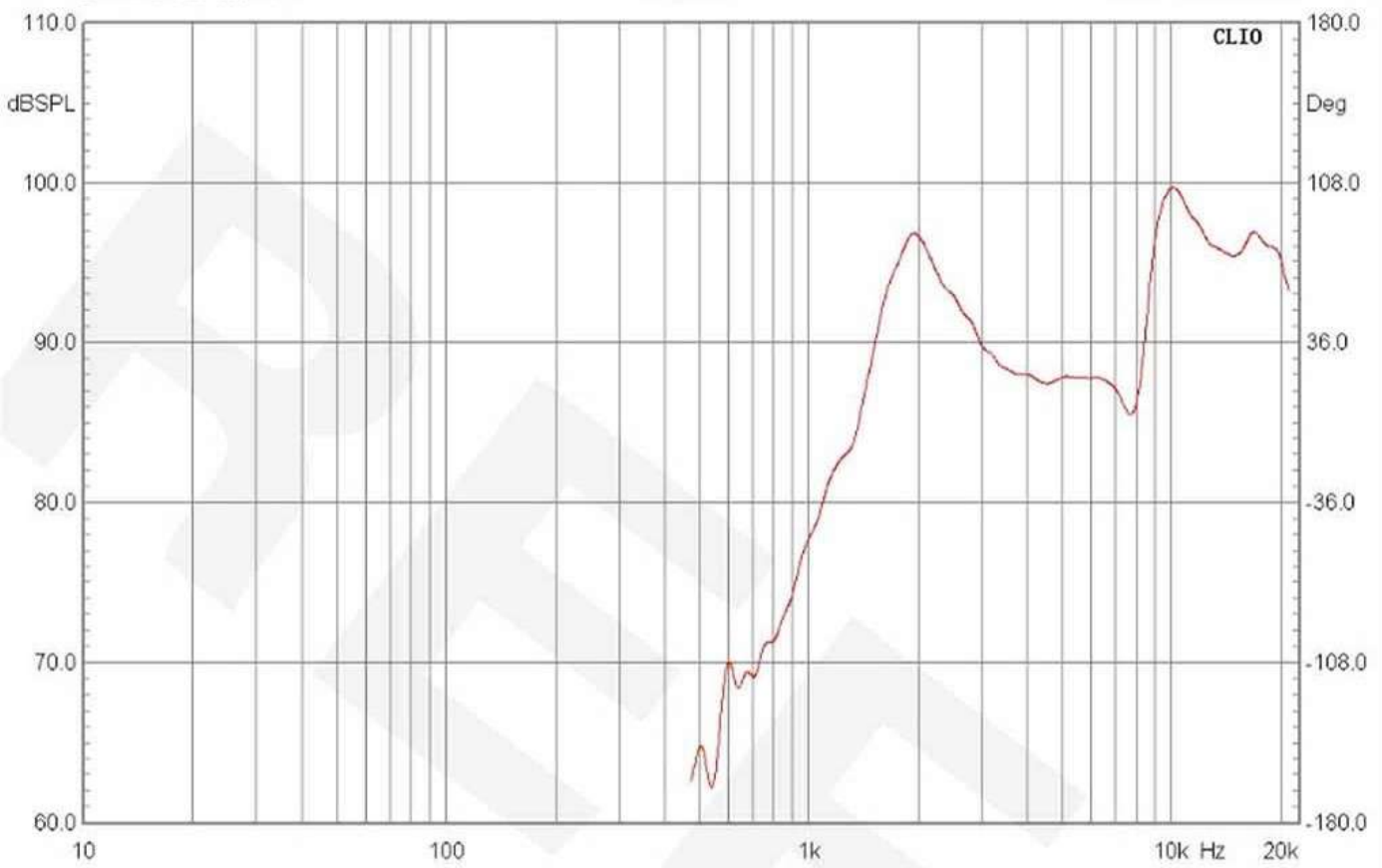
5.測量方式 (Measurement Method)



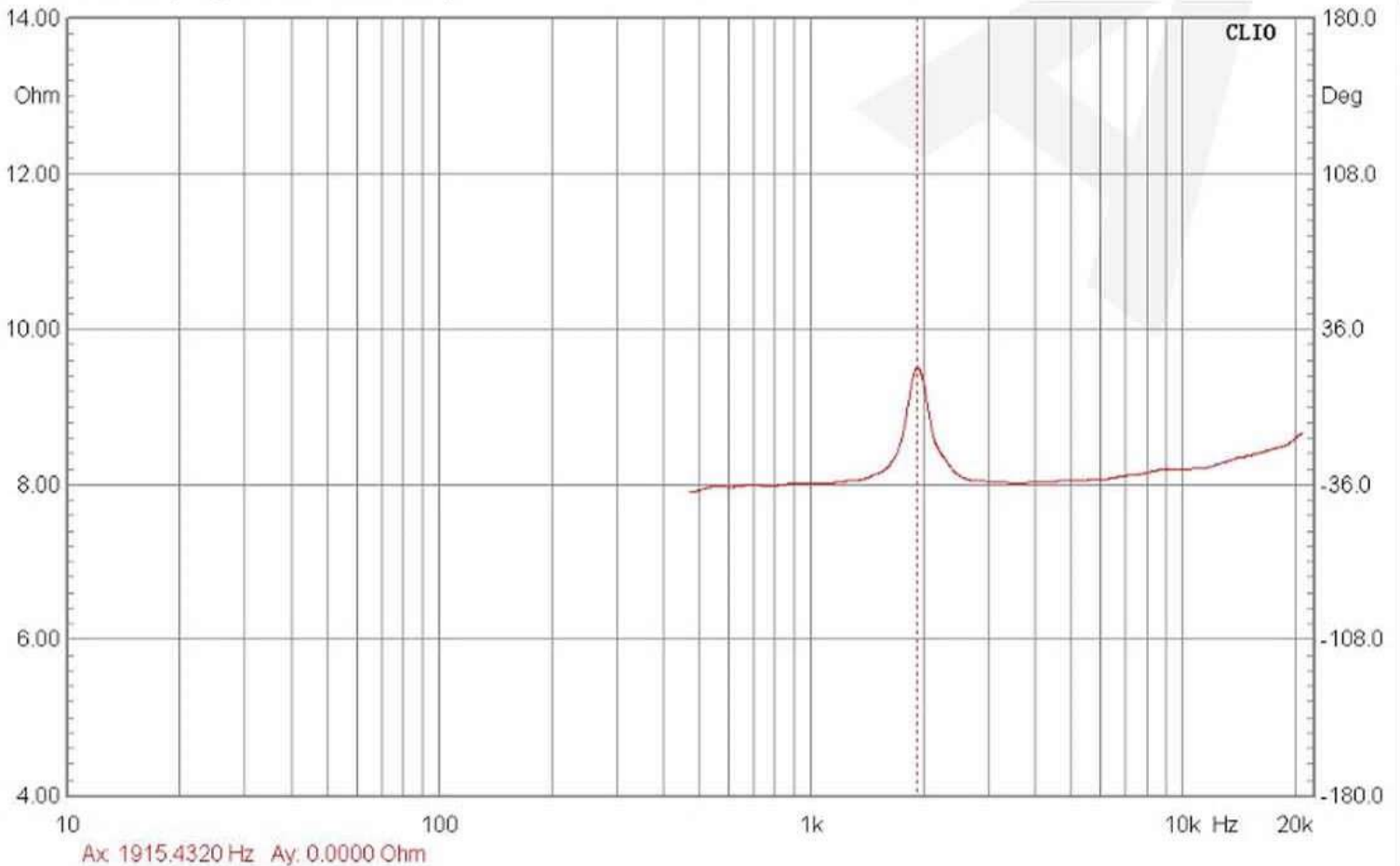
## 產品規格內容 (SPECIFICATION)

Model No.	N32R8	Date	2020-9-19	Page No.	4/6
-----------	-------	------	-----------	----------	-----

### 6. 頻率響應曲線圖(Frequency Response Curve)



### 7. 阻抗曲線圖(Impedance Curve)

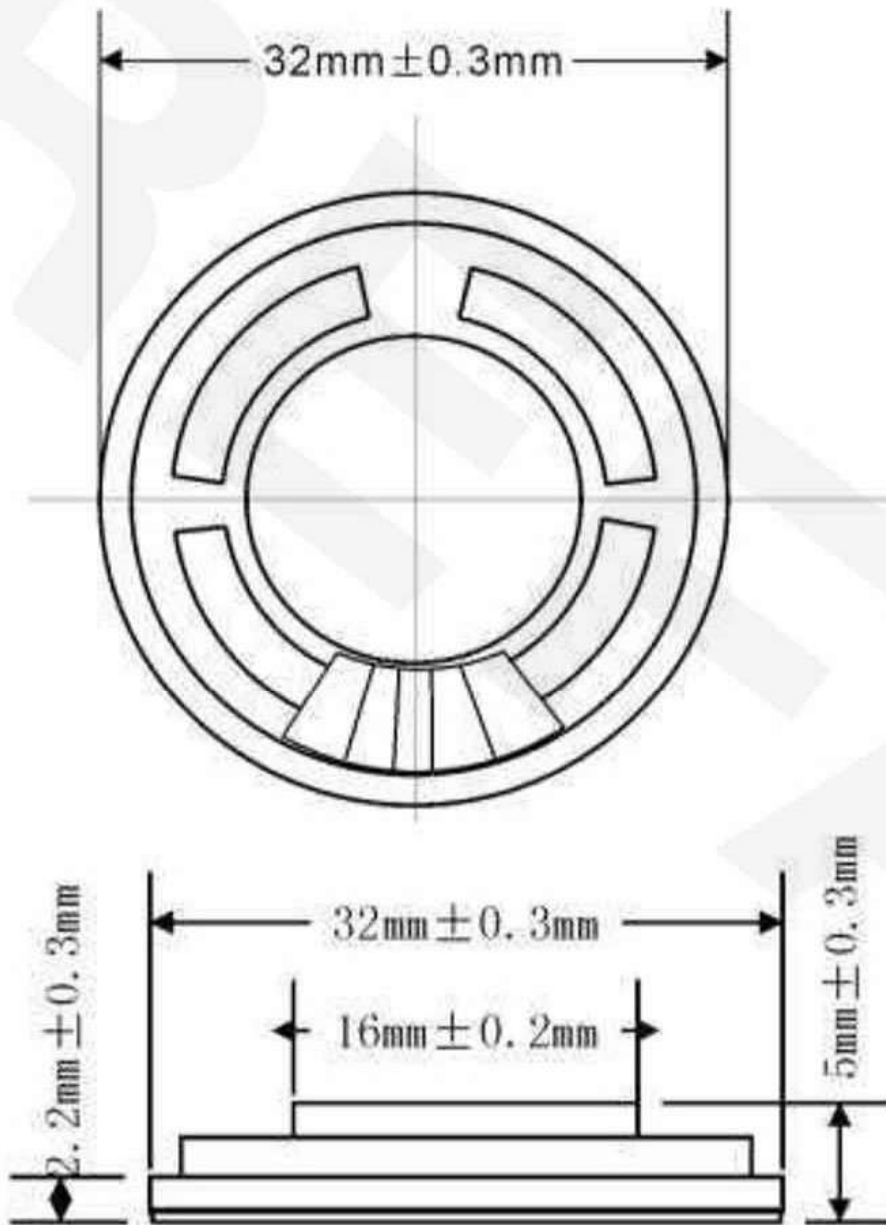


產品規格內容 (SPECIFICATION)

Model No.	N32R8	Date	2020-9-19	Page No.	5 / 6
-----------	-------	------	-----------	----------	-------

8. 喇叭外觀描述

(Unit:mm tolerance:±0.3)



產品規格內容 (SPECIFICATION)

Model No.	N32R8	Date	2020-9-19	Page No.	6/6
-----------	-------	------	-----------	----------	-----

9.包裝示意圖(Packing Standard):

(Unit:cm tolerance:±3)

64PCS SPEAKERS/1 LAYER  
1280PCS SPEAKERS/1 CARTON(11 LAYERS)

