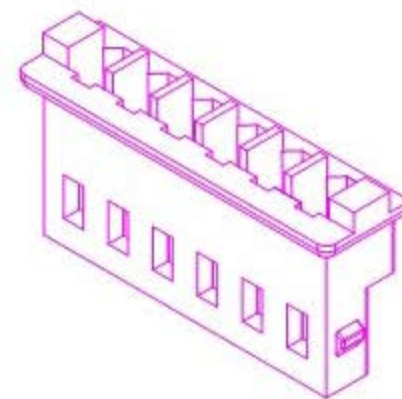
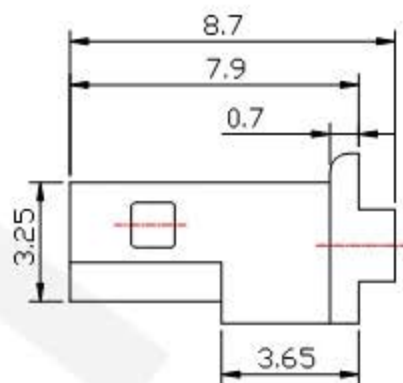
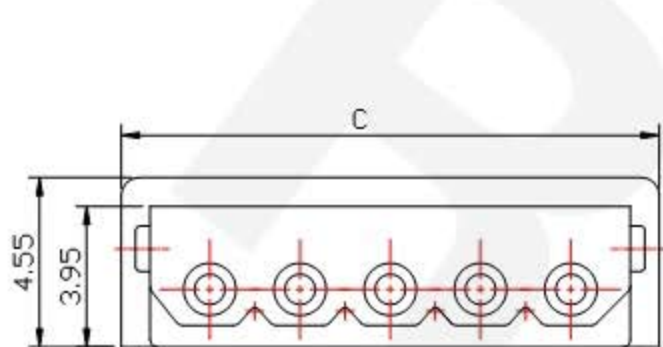
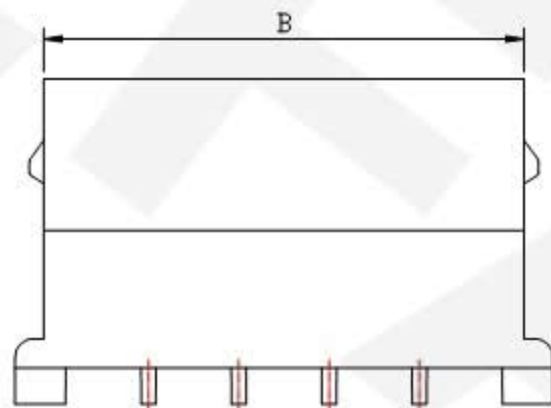
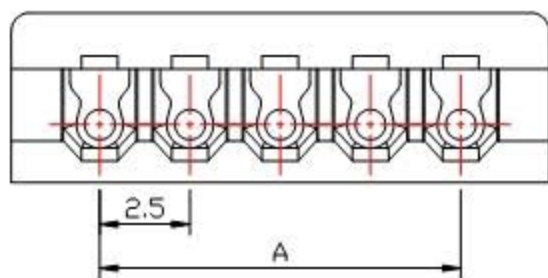


RoHS<sub>2.0</sub>



3D View



52.5	50.8	47.5	20
...	...	...	...
27.5	25.8	22.5	10
25.0	23.3	20.0	9
22.5	20.8	17.5	8
20.0	18.3	15.0	7
17.5	15.8	12.5	6
15.0	13.3	10.0	5
12.5	10.5	7.5	4
10.0	8.3	5.0	3
7.5	5.8	2.5	2
C	B	A	PIN

Specifications:

Rated Current	3A AC, DC (AWG #22)				角度	±3°						
Rated Voltage	250V AC, DC				63 < L ≤ 63	±0.3°						
Contact Resistance	20mΩ max				16 < L ≤ 63	±0.2°						
Insulation Resistance	1000MΩ min				4 < L ≤ 16	±0.1°	比例	1:1	视图	名称	5264 胶壳	
Withstanding Voltage	1000V AC/minute				1 < L ≤ 4	±0.05°	单位	MM	页码	1/1	型号	5264-Y
Temperature Range	-40 C to +85 C	胶壳	PA66	白	L ≤ 1	±0.05°	编号					
Applicable wire Range	AWG #28 to #22	部件	材质	颜色	未详细说明之公差		版本	BY/2020				