

SPECIFICATIONS

Current Rating:3Amps

Insulation Resistance:1000MΩ min

Withstanding Voltage: 1000VAC

Contact Resistance:20mΩ max

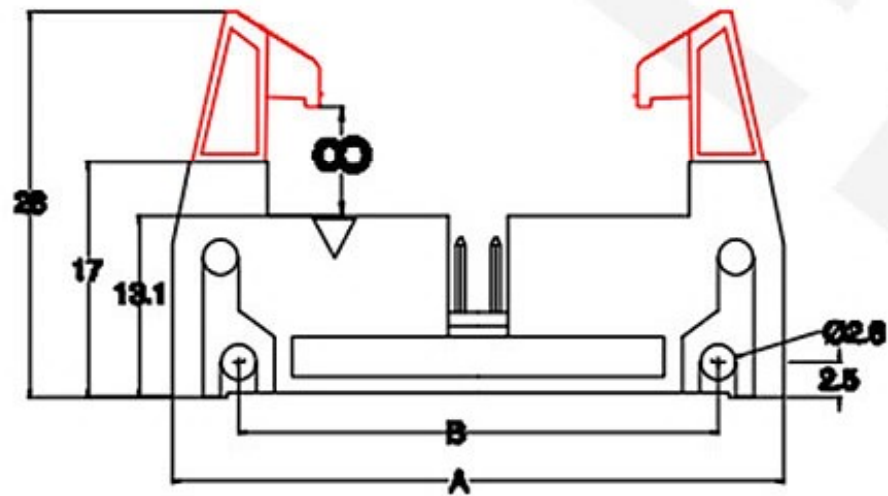
Operating Temperture:-40° C to+105° C

Standard:PBT

Contact Material:Brass

Contact Plating:Au or Sn Over Ni

**Max. Processing Temp:180° Cfor30-60second
(200° Cfor10second)**



TPYE 1

