

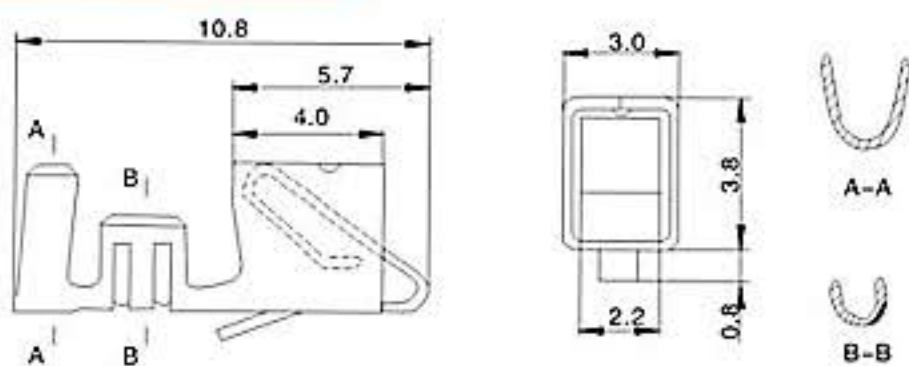
技术参数 SPECIFICATIONS

- 线数 (Poles) : 2~12
- 适用线规 (Applicable wires) : AWG22#~18#
- 适用基板厚度 (Applicable PC board thickness) : 1.6mm
- 温度范围 (Temperature range) : -40°C ~+105°C
- 额定电压 (Voltage rating) : 250V.Ac/Dc
- 额定电流 (Current rating) : 7A
- 接触电阻 (Contact resistance) : $\leq 0.02\Omega$
- 绝缘电阻 (Insulation resistance) : $\geq 1000M\Omega$
- 耐压 (Withstand voltage): 1500V.Ac/1分钟 (Minute)
- 材料 (Material) :
 - 孔座 (Housing) : 尼龙 (Nylon) UL94V-0
 - 针座 (Wafer) : 尼龙 (Nylon) UL94V-0
 - 端子 (Terminal) : 磷青铜 (Phos.bronze Tin/plated)

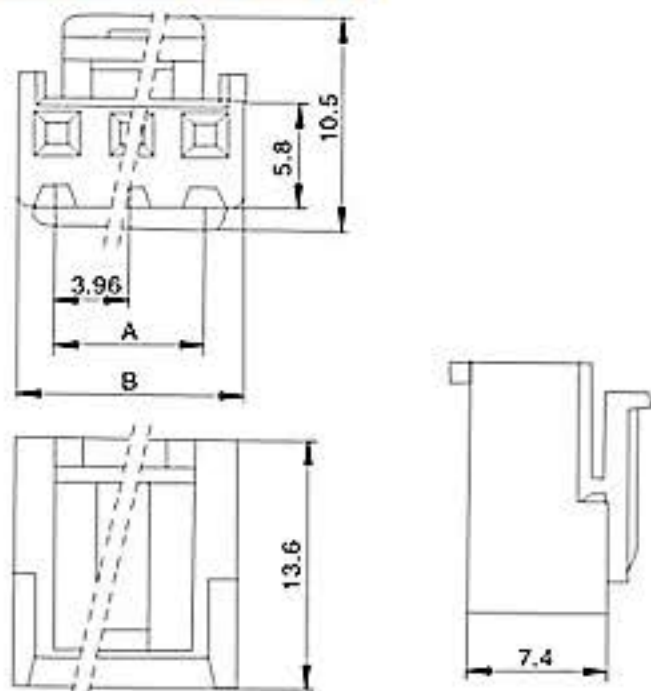
端子 TERMINAL (VH)

型号 Type	适用线规 Applicable wires		电线外径 O.D of wire ins mm
	mm ²	AWG#	
KF39600-PT	0.33~0.83	22~18	1.7~3.0

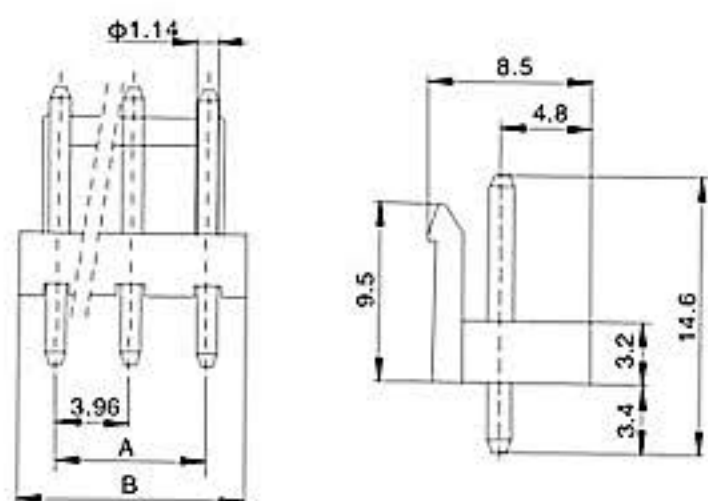
KF39600-PT (VH)



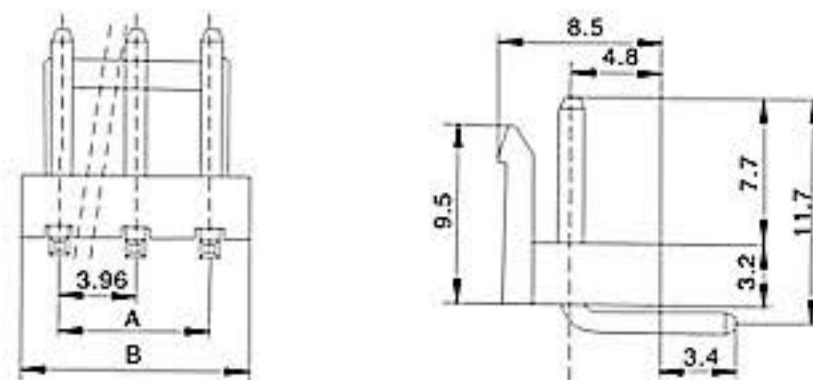
KF39600-Y (VH)



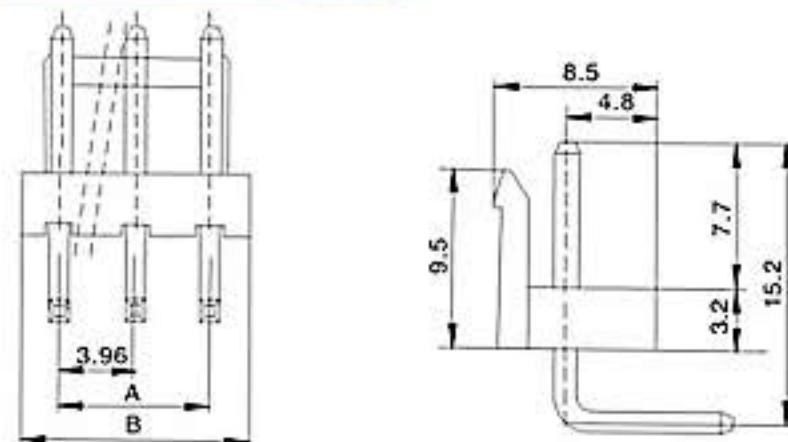
KF39601-A (VH)



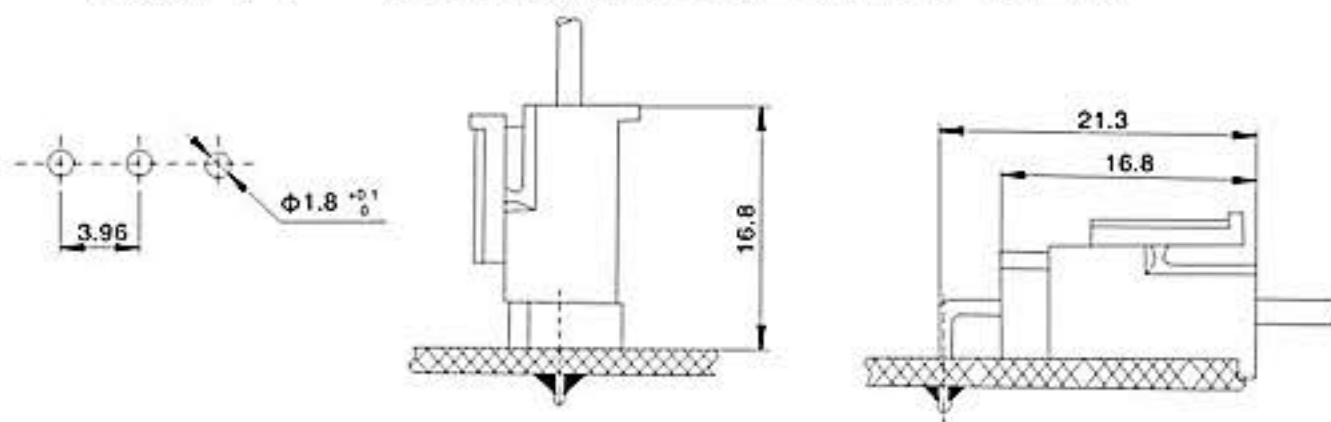
KF39601-WAP(VH)



KF39601-WAG(VH)



安装尺寸 MOUNTING MEASUREMENT



孔座 HOUSING (VH)

线数 Poles	型号 Type	尺寸Dimensions (mm)	
		A	B
2	KF39600-2Y	3.96	8.47
3	KF39600-3Y	7.92	12.43
4	KF39600-4Y	11.88	16.39
5	KF39600-5Y	15.84	20.35
6	KF39600-6Y	19.80	24.31
7	KF39600-7Y	23.76	28.27
8	KF39600-8Y	27.72	32.23
9	KF39600-9Y	31.68	36.19
10	KF39600-10Y	35.64	40.15
11	KF39600-11Y	39.60	44.11
12	KF39600-12Y	43.56	48.07

针座 WAFER (VH)

线数 Poles	型号Type		尺寸Dimensions (mm)	
	直式 (180°)	弯式 (90°)	A	B
2	KF39600-2A	KF39601-2WA	3.96	8.47
3	KF39600-3A	KF39601-3WA	7.92	12.43
4	KF39600-4A	KF39601-4WA	11.88	16.39
5	KF39600-5A	KF39601-5WA	15.84	20.35
6	KF39600-6A	KF39601-6WA	19.80	24.31
7	KF39600-7A	KF39601-7WA	23.76	28.27
8	KF39600-8A	KF39601-8WA	27.72	32.23
9	KF39600-9A	KF39601-9WA	31.68	36.19
10	KF39600-10A	KF39601-10WA	35.64	40.15
11	KF39600-11A	KF39601-11WA	39.90	44.11
12	KF39600-12A	KF39601-12WA	43.56	48.07