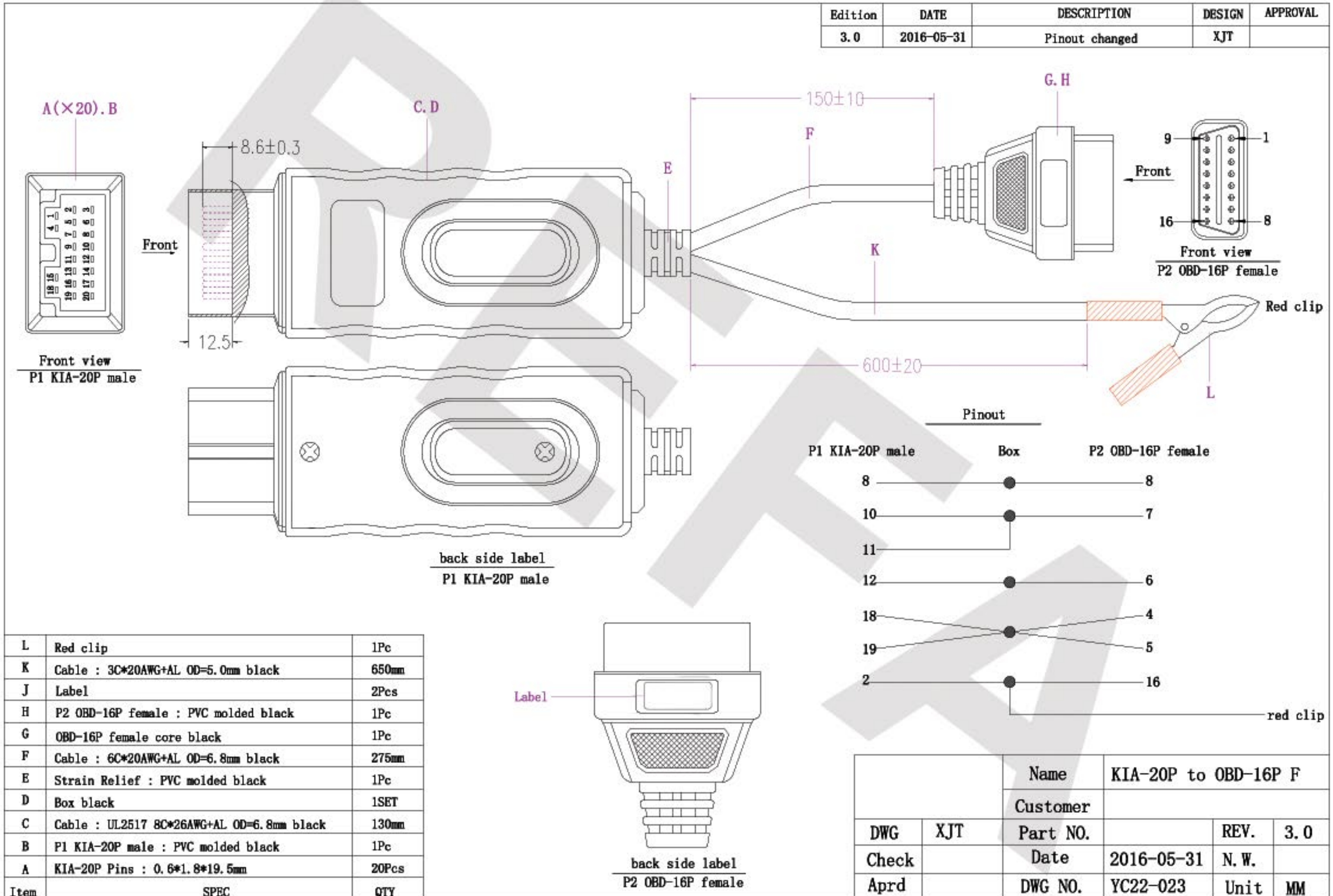


Edition	DATE	DESCRIPTION	DESIGN	APPROVAL
3.0	2016-05-31	Pinout changed	XJT	



		Name	KIA-20P to OBD-16P F		
		Customer			
DWG	XJT	Part NO.		REV.	3.0
Check		Date	2016-05-31	N. W.	
Aprd		DWG NO.	YC22-023	Unit	MM