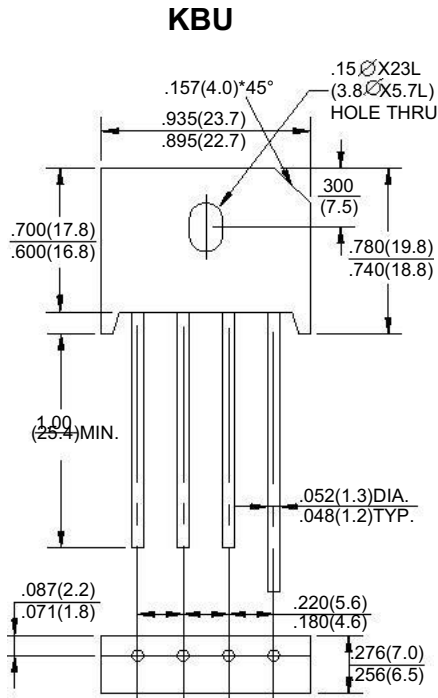


RS4A/6A/8A SERIES

GLASS PASSIVATED BRIDGE RECTIFIERS

REVERSE VOLTAGE - 50 to 1000Volts

FORWARD CURRENT - 4 / 6 / 8 Amperes



Dimensions in inches and (millimeters)

FEATURES

- Surge overload rating -125~175 amperes peak
- Ideal for printed circuit board
- Reliable low cost construction utilizing molded plastic technique
- Mounting position:Any
- Mounting torque:5 In.lb.Max
- Weight: 0.26ounces ,7.4grams

MAXIMUM RATINGS AND ELECTRICAL CHARACTERISTICS

Rating at 25°C ambient temperature unless otherwise specified.

Single phase, half wave ,60Hz, resistive or inductive load.

For capacitive load, derate current by 20%

CHARACTERISTICS	RS401	RS402	RS403	RS404	RS405	RS406	RS407	UNIT
	RS601	RS602	RS603	RS604	RS605	RS606	RS607	
	RS801	RS802	RS803	RS804	RS805	RS806	RS807	
Maximum Recurrent Peak Reverse Voltage	50	100	200	400	600	800	1000	V
Maximum RMS Voltage	35	70	140	280	420	560	700	V
Maximum DC Blocking Voltage	50	100	200	400	600	800	1000	V
Maximum Average Forward Rectified Output Current at T _c =100°C T _A =50°C/40°C/45°C	RS4	4.0	RS6	6.0		RS8	8.0	A
Peak Forward Surge Current 8.3ms single Half Sine-Wave Super Imposed on Rated Load (JEDEC Method)		4.0		6.0	6.0		A	
Maximum Instantaneous Forward Voltage Drop per Element at 4.0A/3.0A/4.0A		125		150	175		A	
Maximum Reverse Leakage at rated DC Blocking Voltage Per Element		1.1		1.1	1.1		V	
Operating and Storage Temperature Range T _J .T _{STG}		10		10	10		μA	
		100		200	300		μA	
	-55 to +150							°C

RS4A/6A/8A SERIES

FIG.1-DERATING CURVE FOR OUTPUT RECTIFIED CURRENT

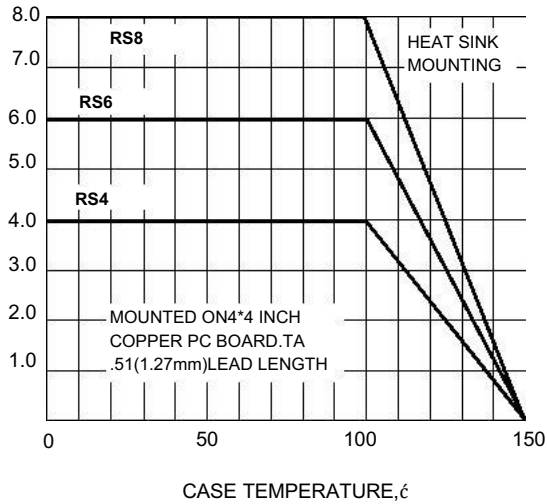


FIG.2 TYPICAL INSTANTANEOUS FORWARD CHARACTERISTIC

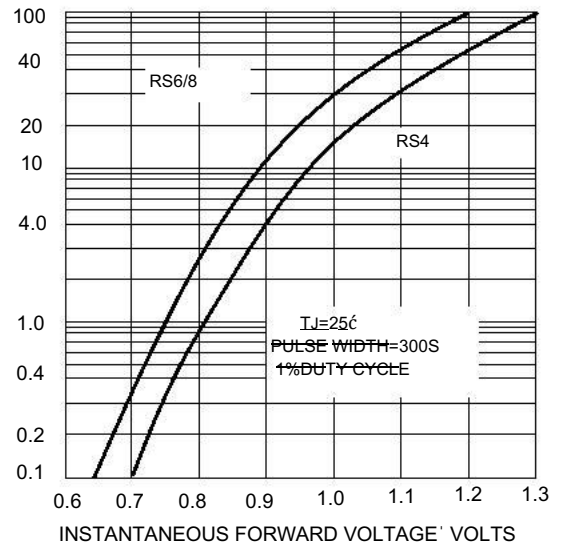


FIG.3-MAXIMUM NON-RETTITIVE PEAK FORWARD SURGE CURRENT

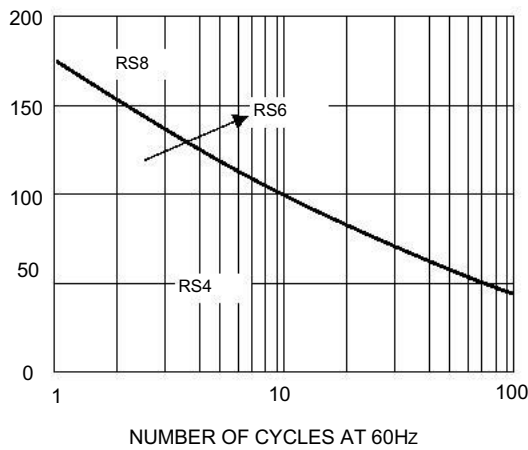


FIG.4-TYPICAL REVERSE CHARACTERISTICS

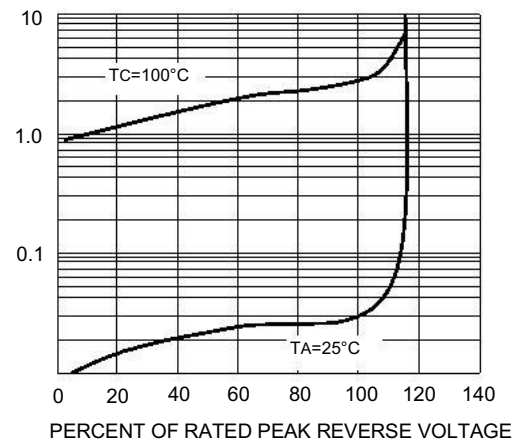


FIG.5-TYPICAL JUNCTION CAPACITANCE PER ELEMENT

